

Off-grid Solar Modules 150 / 160 / 200 Wp

Designed in Europe

The use of European production knowledge and carefully selected components are the foundation for our top quality solar modules.

Solinc ensures up to date technology, durability, and the reliable high performance that our panels have become well known for.

+ $\frac{W}{m^2}$ **High Power Density**
High conversion efficiency and more power output per square meter.

DURABLE **Durability**
Durable PV modules, independently tested for harsh environmental conditions such as exposure to salt mist, ammonia and PID risk factors.

Advanced Glass
Our high-transmission glass features a unique anti-reflective coating that directs more light on the solar cells, resulting in a higher energy yield.

QUALIFICATIONS & CERTIFICATES



SYSTEM CERTIFICATIONS : ISO 9001:2008, ISO 14001:2004

ELECTRICAL PROPERTIES AT STC*

Model	Solinc EA150	Solinc EA160	Solinc EA200
Maximum power P_{max}	150 Wp	160 Wp	200 Wp
Current maximum power point I_{mp}	A DC	8.56A DC	5.45A DC
Voltage maximum power point V_{mp}	V DC	18.7V DC	36.7V DC
Open circuit voltage V_{oc} (STC)	V DC	22.9V DC	45.1V DC
Short circuit current I_{sc}	A DC	9.07A DC	5.89A DC
Module Efficiency (η_m)	15.10%	16.11%	17.38%
Maximum system voltage (V)	1000V DC		
Maximum series fuse rating(A)	15A		
Power tolerance	±5%		
Diode	6x10A		

MECHANICAL PROPERTIES

Model	Solinc EA160	Solinc EA200
No. of cells	36 (4x9)	72 (6x12)
Cell type	Polycrystalline Cell	
Cell size	156.75x156.75mm	156.75x104.75mm
Module dimensions	1474x674x35mm	1330x992x35mm
Weight	11kg	15kg
Front cover (material / thickness)	low-iron tempered glass / 3.2mm	
Frame (material)	Anodized aluminum alloy	
Junction box (protection degree)	IP65	IP68
Cable (length / cross-sectional area)	1100mm / 4.0mm ²	
Plug connector (type / protection degree)	MC4/IP65	MC4/IP68

*STC (Standard Test Condition):

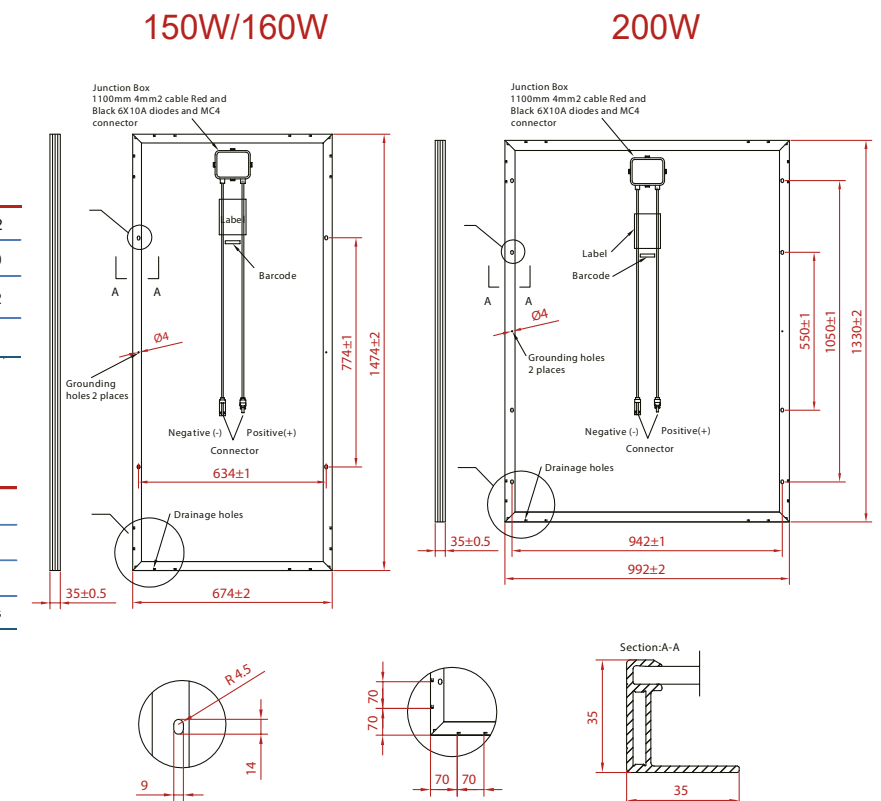
- Irradiance 1000W/m²
- Module temperature 25°C
- Spectrum AM 1.5

THERMAL CHARACTERISTICS

Nominal operating cell temperature	NOCT	°C	45±2
Temperature coefficient of P_{max}	γ	%/°C	-0.40
Temperature coefficient of V_{oc}	β_{Voc}	%/°C	-0.32
Temperature coefficient of I_{sc}	α_{Isc}	%/°C	0.05

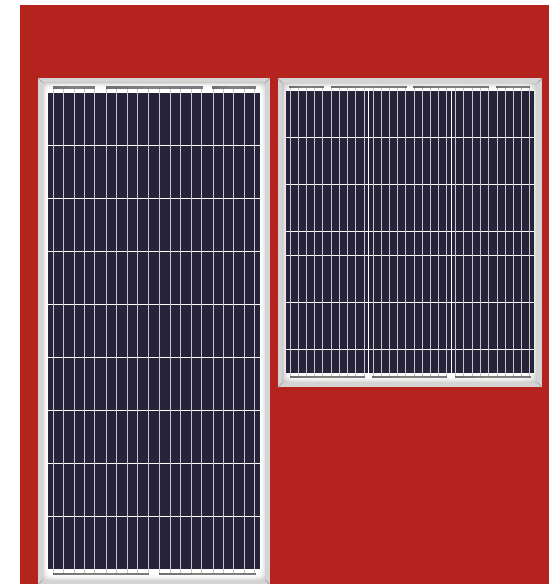
OPERATING CONDITIONS

Operating temperature range	-40°C to 85°C
Max. static load, front (e.g., snow)	5400Pa
Max. static load, back (e.g., wind)	2400Pa
Max. hailstone impact (diameter / velocity)	25mm / 23m/s



Warning : Read the Installation and User Manual in its entirety before handling, installing, and operating Solinc Solar modules.

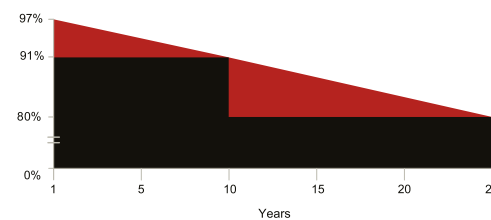
- Due to continuous innovation, research and product improvement, the specifications in this product data sheet are subject to change without prior notice. The specifications may deviate slightly.
- This data does not refer to a single module, however it is composite. This only serves as a technical guide for the stated module models.



>17.8%
CELL EFFICIENCY

10 YEAR
PRODUCT WARRANTY

25 YEAR
LINEAR WARRANTY



(0.7% annual degradation, 80% after 25 years)